

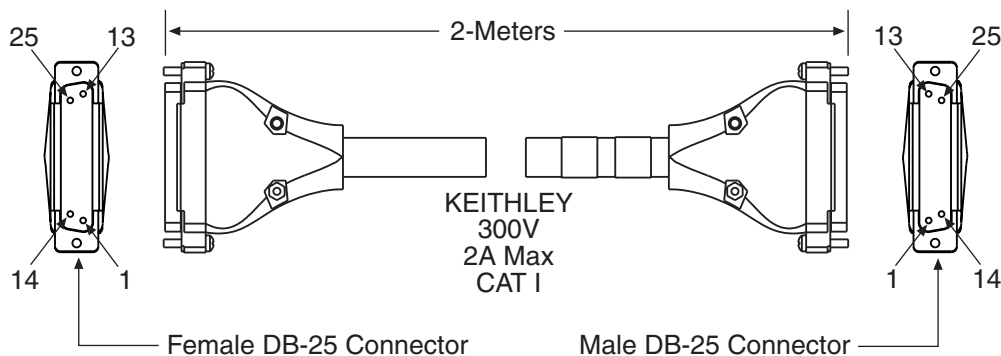
Introduction

The Model 7707-MTC-2 is a 25-conductor cable that is used with the Model 7707 multiplexer switching module. The 2-meter cable is terminated with female/male 25-pin D-Sub connectors. Connect the male end of the cable assembly to the female DB-25 connector of the 7707 switching module. Connect the female end of the cable to external circuitry.

The cable illustration shows the pinouts for the DB-25 connectors. Model 7707 terminal identification for the DB-25 is provided in Table 1 of the Model 7707 Packing List (Part number PA-770).

- WARNING** All connection and wiring information is intended for qualified service personnel. Do not make switching module connections unless qualified to do so.
- To prevent electric shock that could result in serious injury or death, adhere to the following safety precautions:
- Before making or breaking connections to the switching module, make sure power is removed from all external circuitry.
 - Do not connect signals that may exceed the maximum specifications of the Model 7707 or the Model 7707-MTC-2 cable assembly.

Model 7707-MTC-2 cable assembly



Cable assembly specifications:

Connector-to-connector pinout:	1 to 1 (see cable illustration)
Maximum voltage rating:	300V DC or RMS.
Operating temperature:	-20 to 80°C.
Maximum current:	2A single contact
Pin-to-pin resistance:	<250mΩ